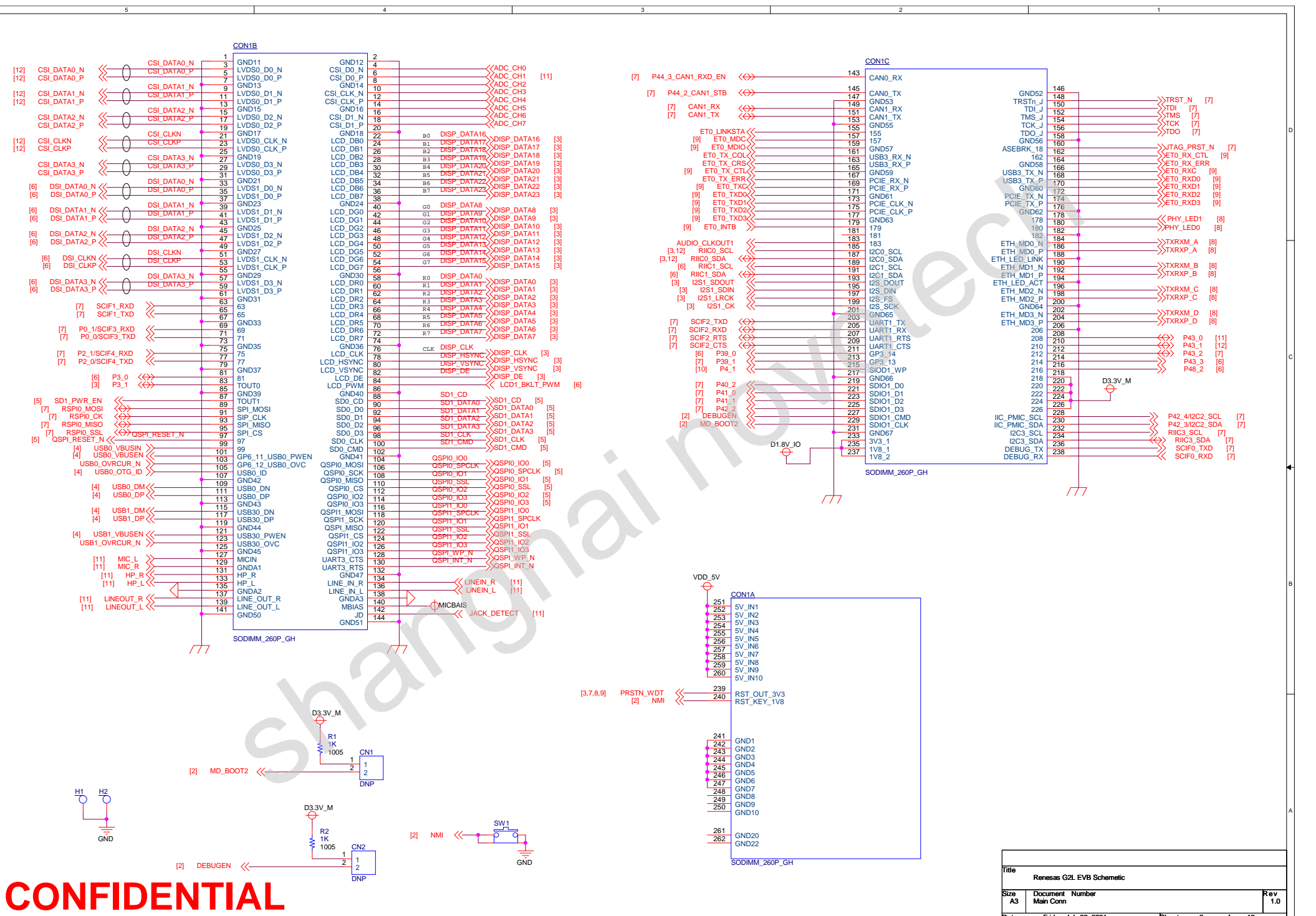


Renesas G2L EVB Schematic 1.0

| Page | Description |
|------|--------------------|
| 01 | Title |
| 02 | Main Conn |
| 03 | HDMI |
| 04 | USB |
| 05 | MicroSD&QSPI |
| 06 | MIPI LCD&TP |
| 07 | UART&RS485&CAN BUS |
| 08 | PWR&RJ45 |
| 09 | MAC PHY |
| 10 | WiFi & RTC |
| 11 | SPK&Audio Jack |
| 12 | Camera |

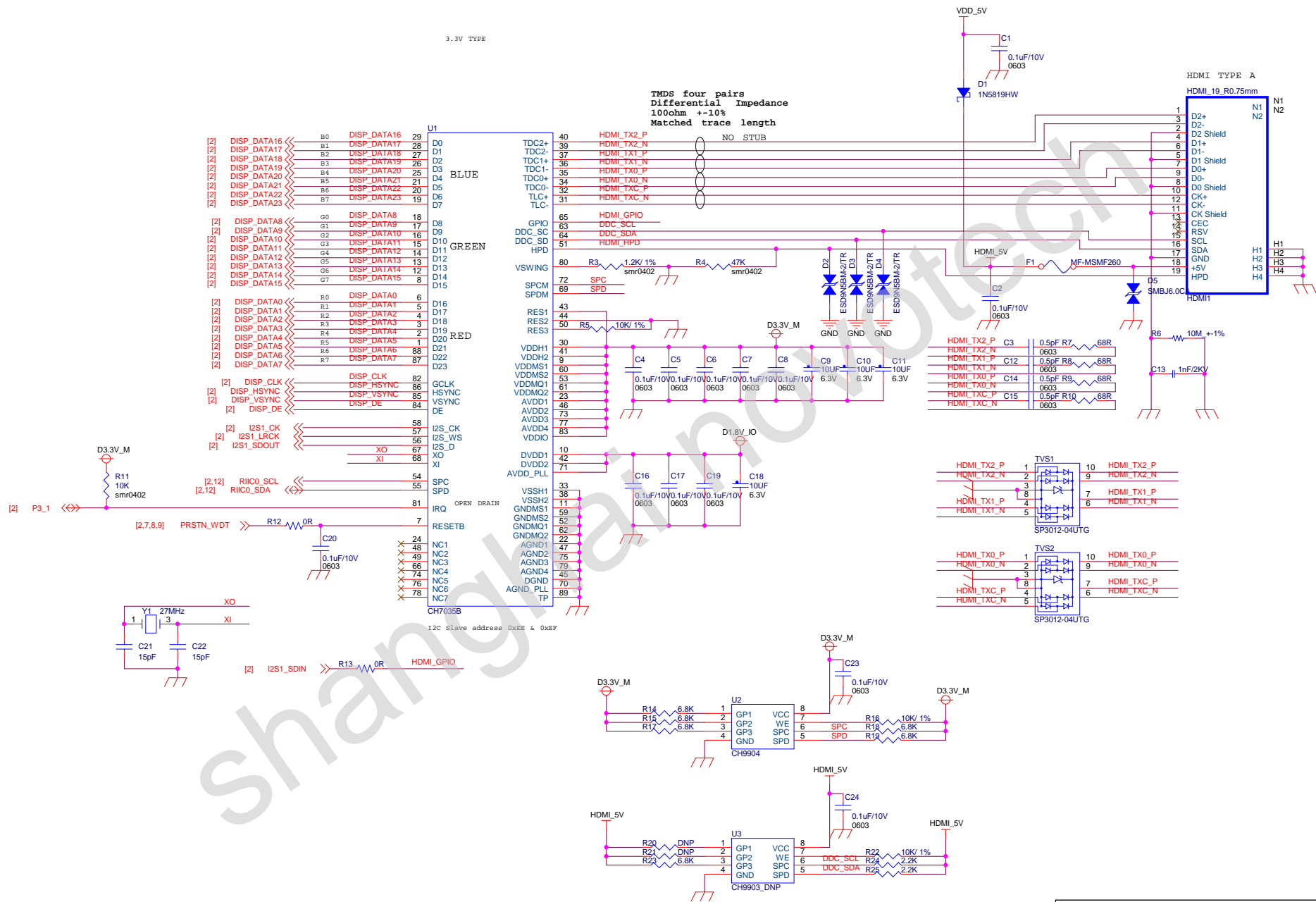
| | | |
|---------------------------|--------------------------|---------------|
| Title | | |
| Renesas G2L EVB Schematic | | |
| Size A | Document Number Title | Rev 1.0 |
| Date: | Friday, July 23, 2021 | Sheet 1 of 12 |



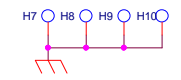
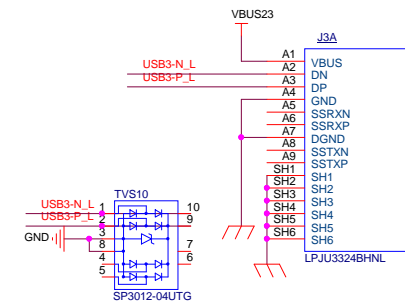
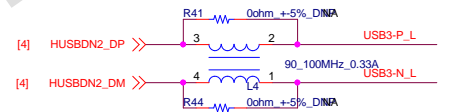
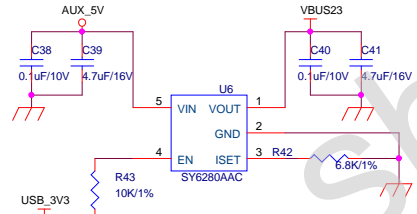
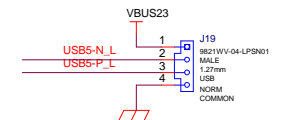
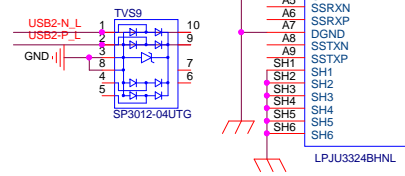
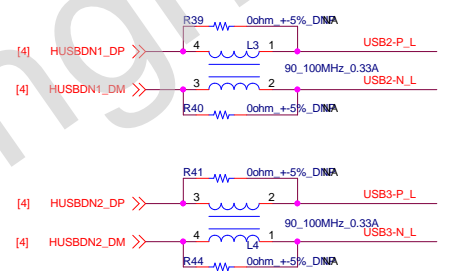
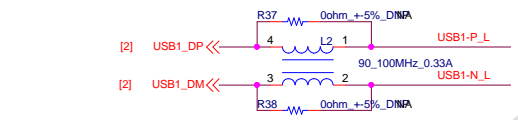
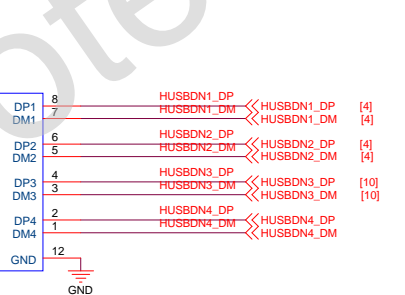
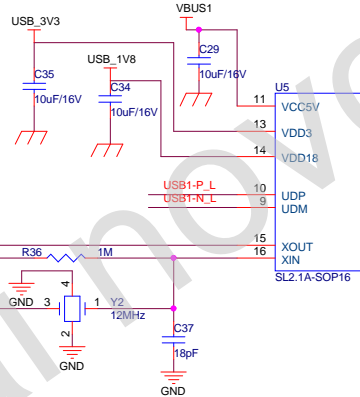
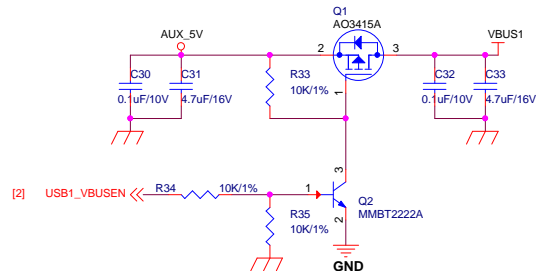
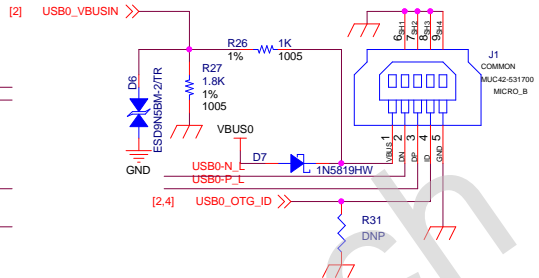
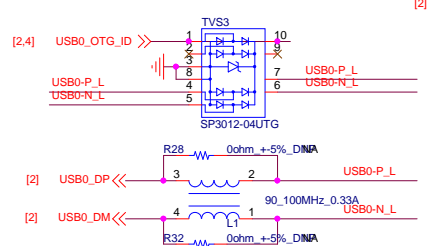
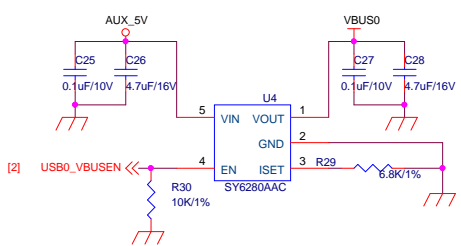
CONFIDENTIAL

| | | | |
|---------------------------|-----------------------|--------|---------|
| Title | | | |
| Renesas G2L EVB Schematic | | | |
| Size | Document | Number | Rev |
| A3 | Main Conn | | 1.0 |
| Date: | Friday, July 23, 2021 | Sheet | 2 of 12 |

CONFIDENTIAL



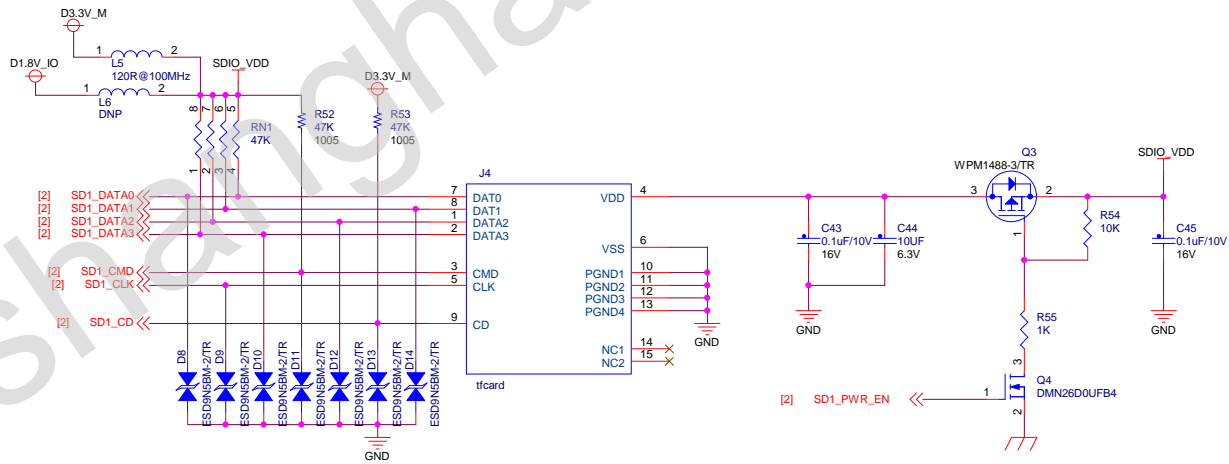
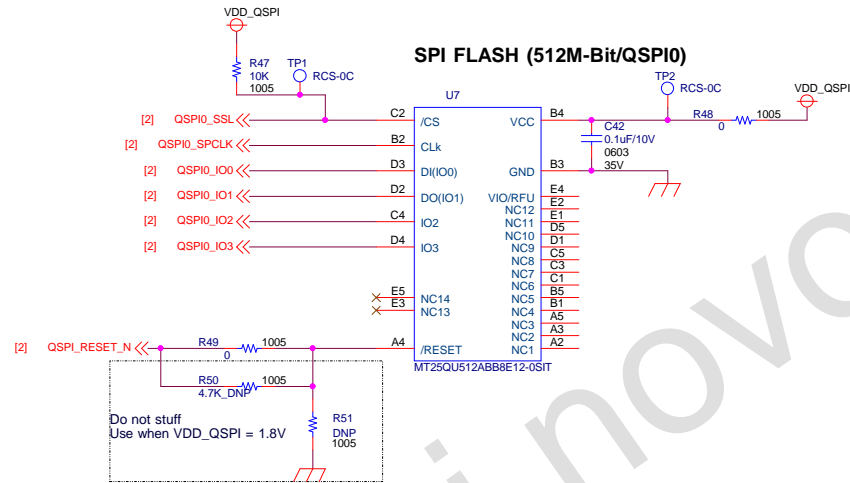
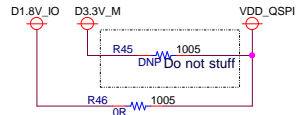
| | | | |
|---------------------------|-----------------------|--------|---------|
| Title | | | |
| Renesas G2L EVB Schematic | | | |
| Size | Document | Number | Rev |
| A3 | HDMI | | 1.0 |
| Date: | Friday, July 23, 2021 | Sheet | 3 of 12 |



- MK1 ● MK1
- MK2 ● MK2
- MK3 ● MK3
- MK4 ● MK4
- MK5 ● MK5
- MK6 ● MK6

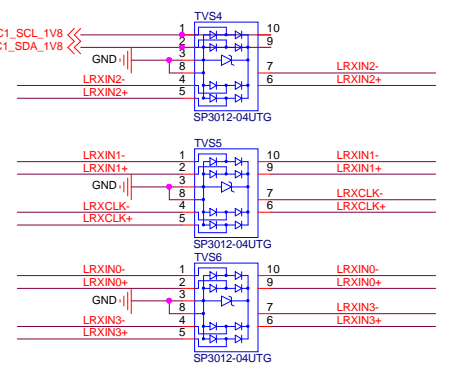
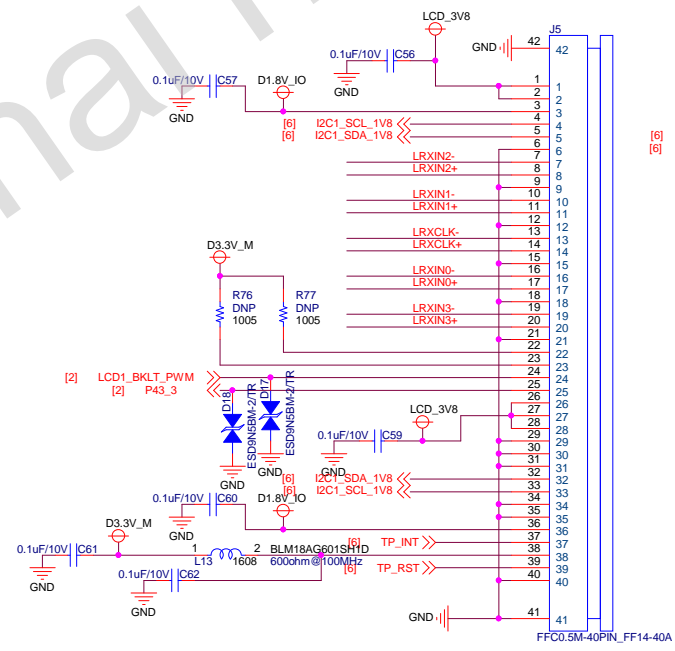
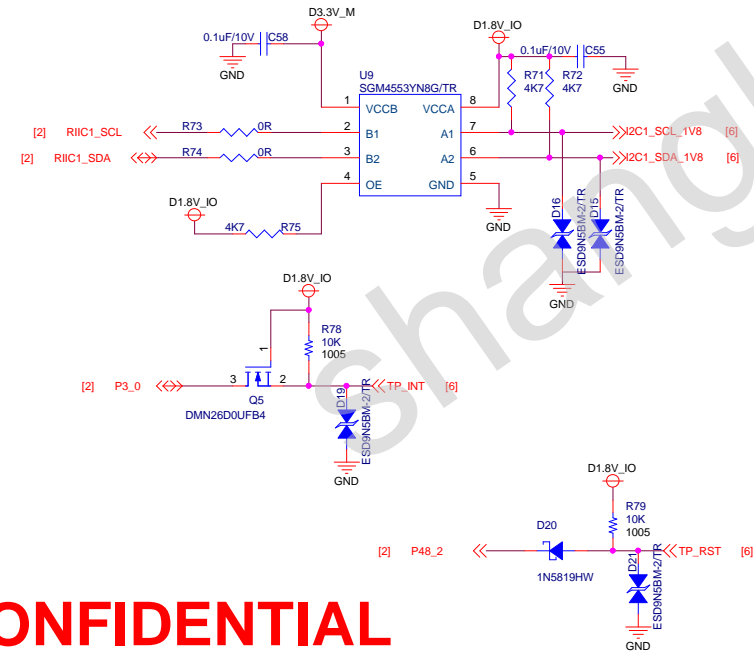
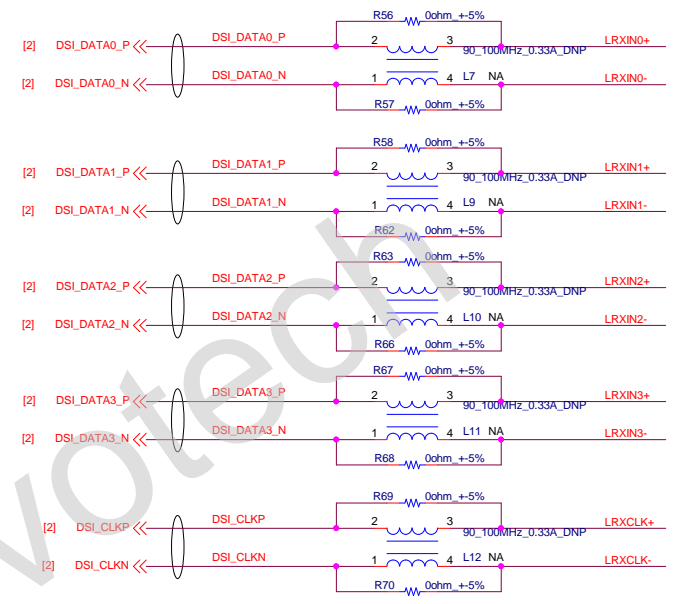
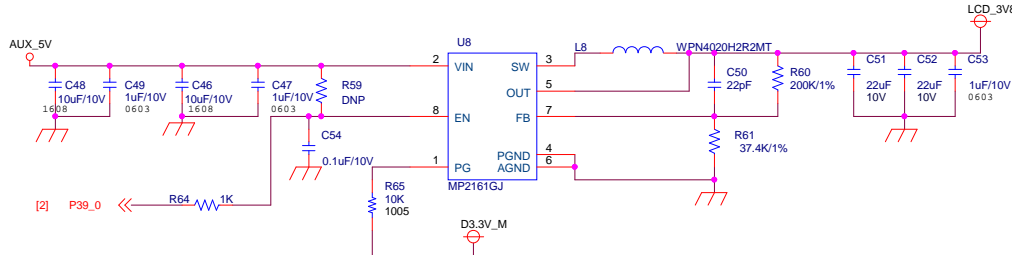
CONFIDENTIAL

| | | | |
|---------------------------|--------------------------|--------|---------|
| Title | | | |
| Renesas G2L EVB Schematic | | | |
| Size | Document | Number | Rev |
| A3 | USB | | 1.0 |
| Date: | Tuesday, August 10, 2021 | Sheet | 4 of 12 |



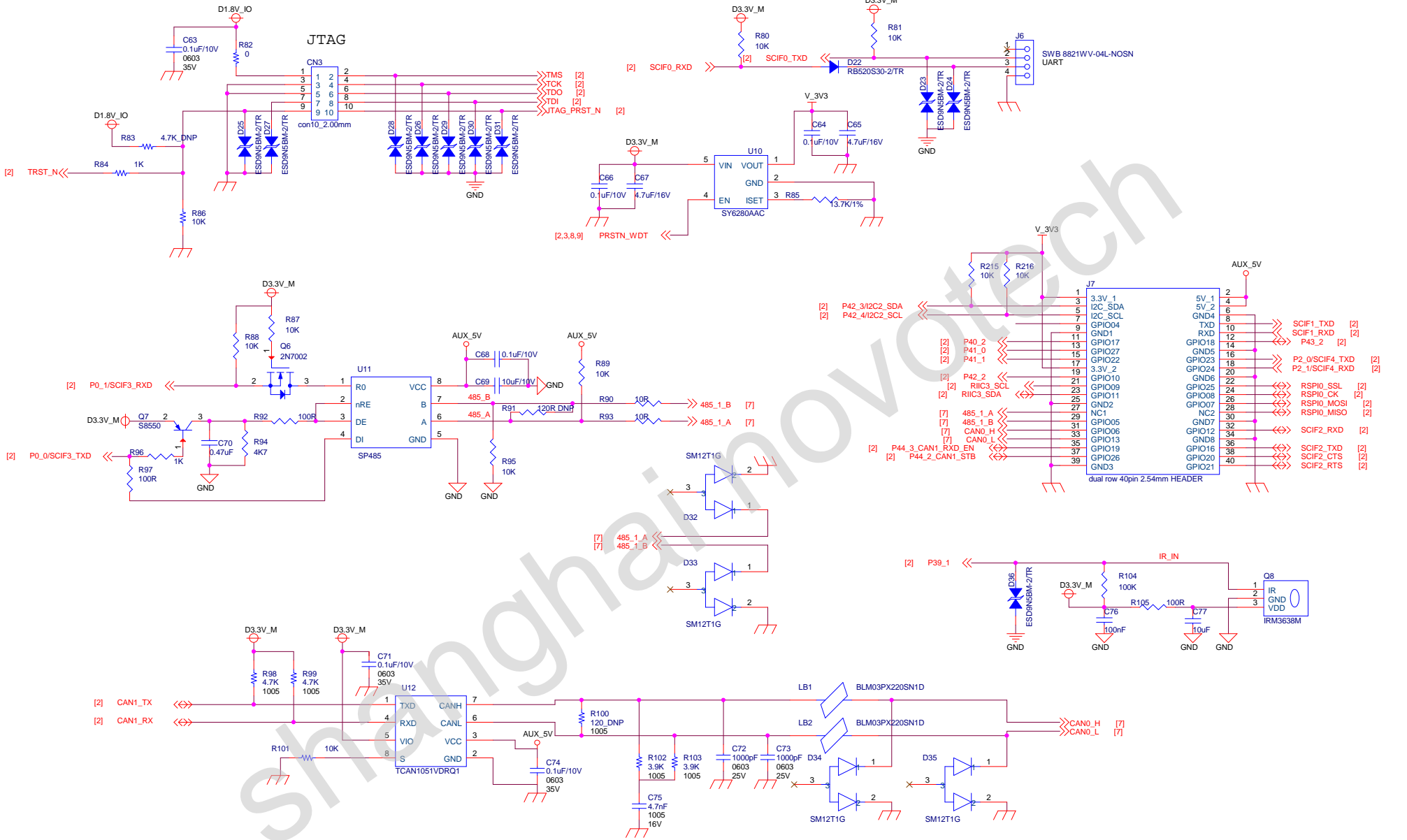
CONFIDENTIAL

| | | | | | |
|-------|-----------------------|-------|---------------------------|----|-----|
| Title | | | Renesas G2L EVB Schematic | | |
| Size | Document Number | | | | Rev |
| A3 | MicroSD & QSPI | | | | 1.0 |
| Date: | Friday, July 23, 2021 | Sheet | 5 | of | 12 |



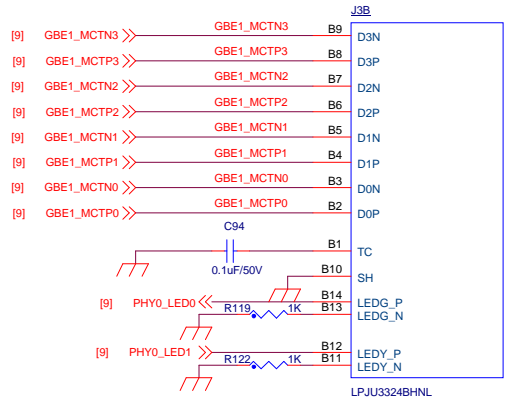
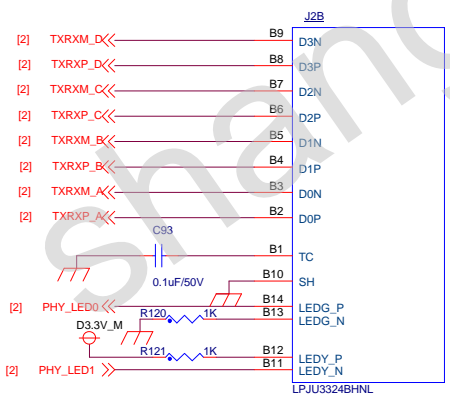
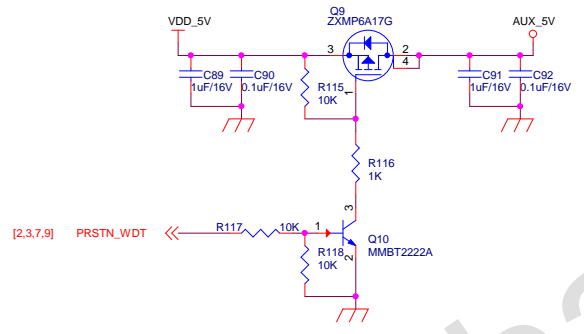
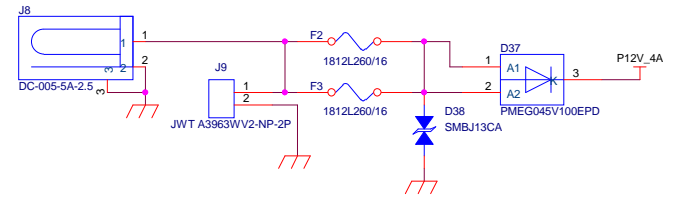
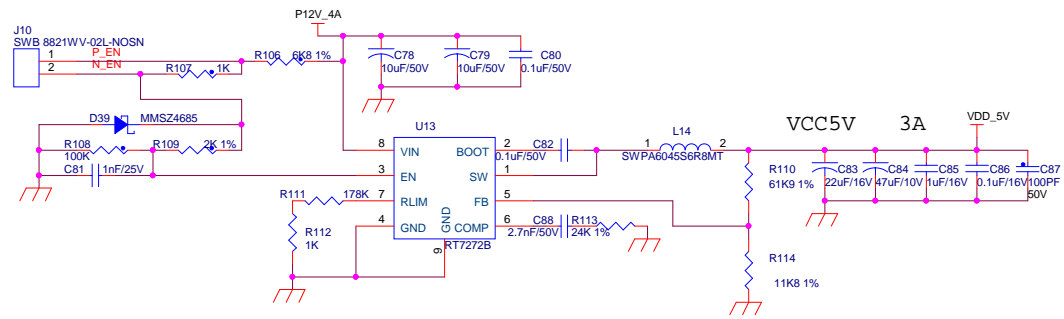
CONFIDENTIAL

| | | | |
|-------|--------------------------|-------|---------------------------|
| Title | | | Renesas G2L EVB Schematic |
| Size | Document Number | Rev | |
| A3 | MPI LCD & TP | 1.0 | |
| Date: | Tuesday, August 10, 2021 | Sheet | 6 of 12 |



CONFIDENTIAL

| | | |
|---------------------------|-----------------------|---------------|
| Title | | |
| Renesas G2L EVB Schematic | | |
| Size | Document Number | Rev |
| A3 | UART & RS485 & CAN | 1.0 |
| Date: | Friday, July 23, 2021 | Sheet 7 of 12 |



CONFIDENTIAL

| | | | | | |
|-------|-----------------------|--------|---------------------------|----|----|
| Title | | | Renesas G2L EVB Schematic | | |
| Size | Document Number | Number | Rev | | |
| A3 | PWR & RJ45 | | 1.0 | | |
| Date: | Friday, July 23, 2021 | Sheet | 8 | of | 12 |

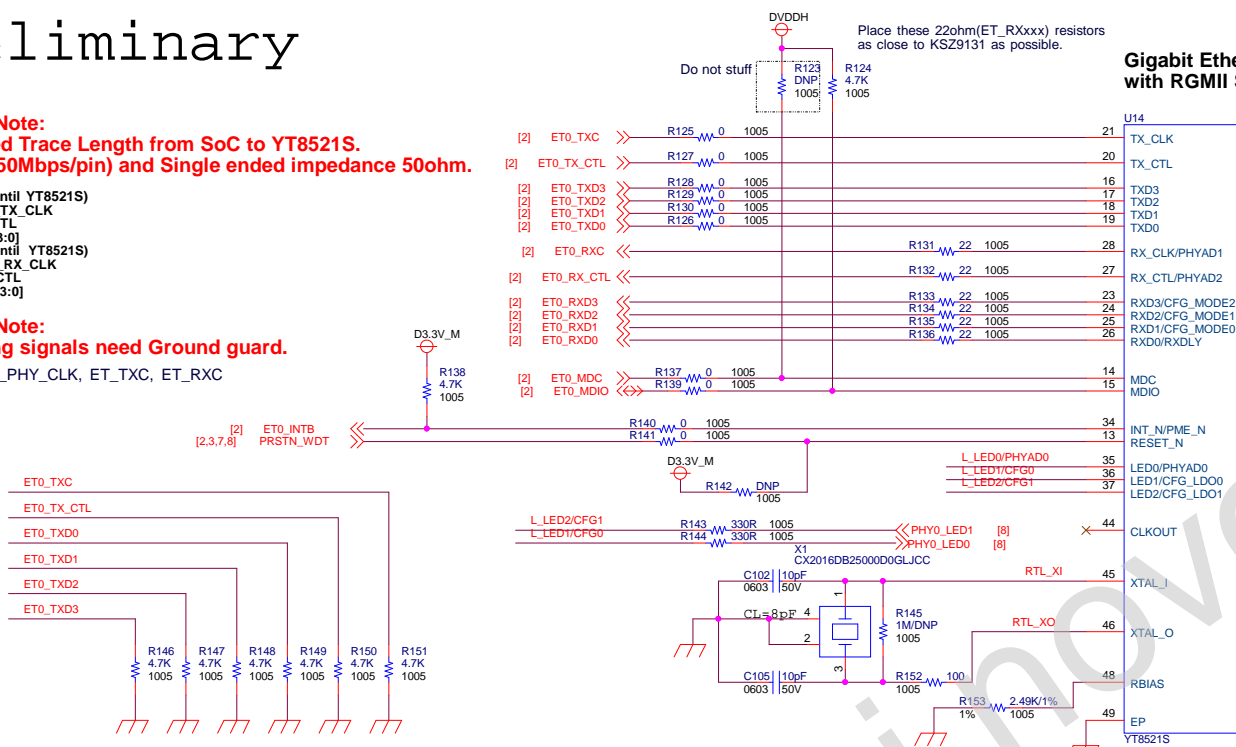
Preliminary

Layout Note:
Matched Trace Length from SoC to YT8521S.
(max 250Mbps/pin) and Single ended impedance 50ohm.

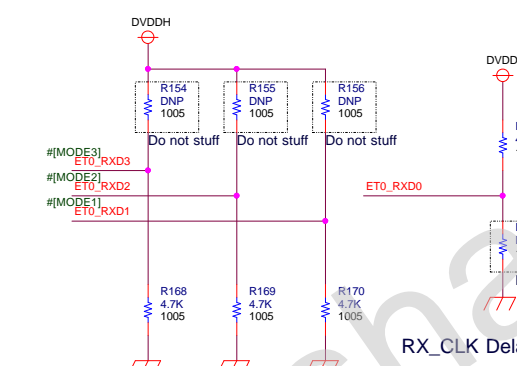
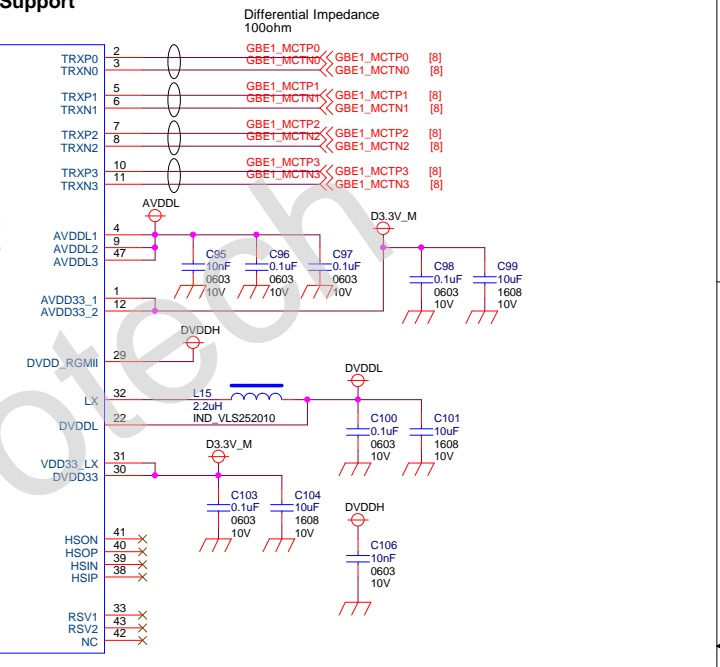
- Group 1(untill YT8521S)
 - ET_TX_CLK
 - ET_TX_CTL
 - ET_TXD[3:0]
- Group 2(untill YT8521S)
 - ET_RX_CLK
 - ET_RX_CTL
 - ET_RXD[3:0]

Layout Note:
Following signals need Ground guard.

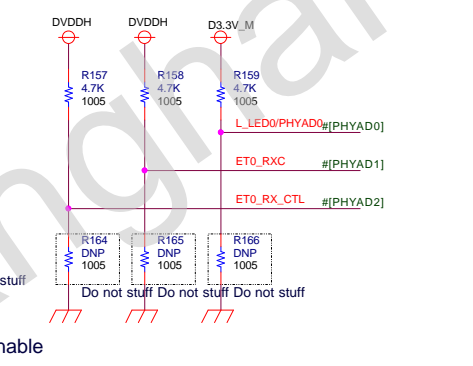
ETHER_PHY_CLK, ET_TXC, ET_RXC



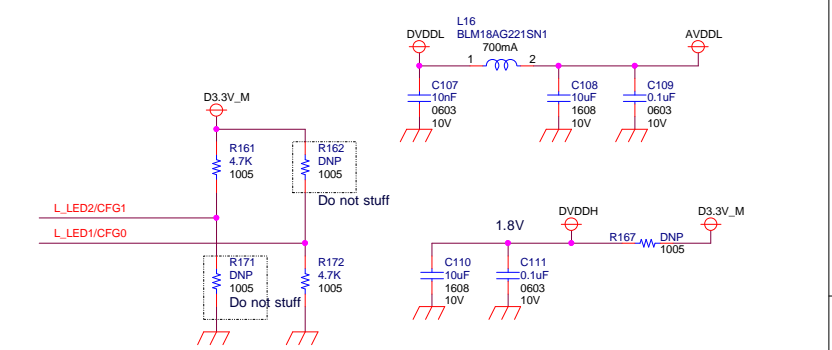
Gigabit Ethernet Transceiver with RGMII Support



| Pin_name | Strap |
|-------------------------------|------------|
| ET_RXD3 | RXD0/MODE3 |
| ET_RXD2 | RXD2/MODE2 |
| ET_RXD1 | RXD1/MODE1 |
| MODE[3:1]=000 : UTP <=> RGMII | |



| Pin_name | Strap |
|-------------------|---------------|
| ET1_RX_CTL/PHYAD2 | ET1_RX_CTL |
| ET1_RX_CLK/PHYAD1 | ET1_RX_CLK |
| L_LED0/PHYAD0 | L_LED0/PHYAD0 |
| PHYAD[1:0]=111 | |

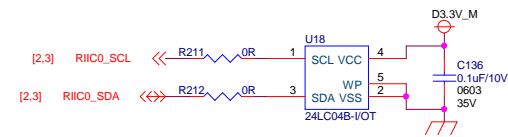
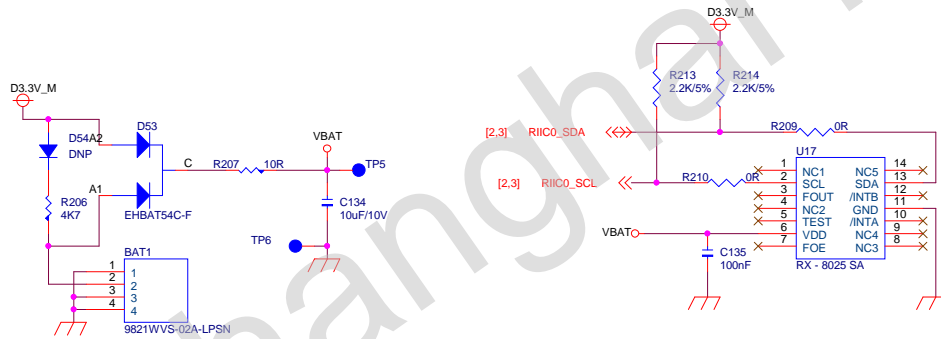
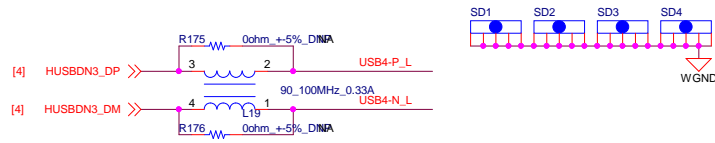
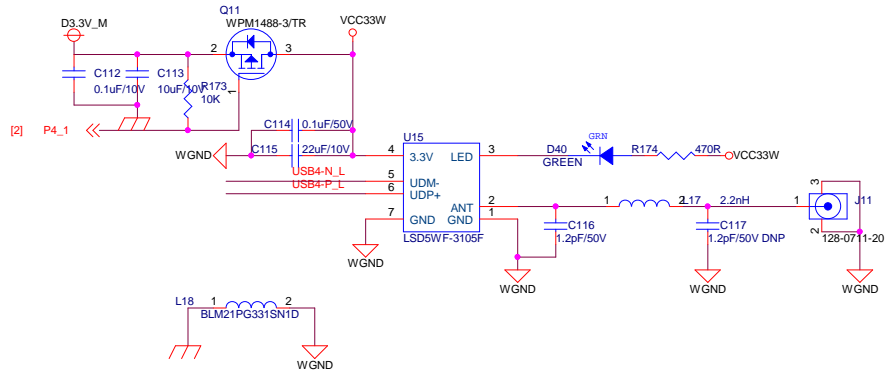


| Pin_name | Strap |
|--|-----------------|
| L_LED2/CFG1 | L_LED2/CFG_LDO1 |
| L_LED1/CFG0 | L_LED1/CFG_LDO0 |
| LDO CFG 00 : 3.3V 01 : 2.5V 10 : 1.8V | |

ETHER PHY

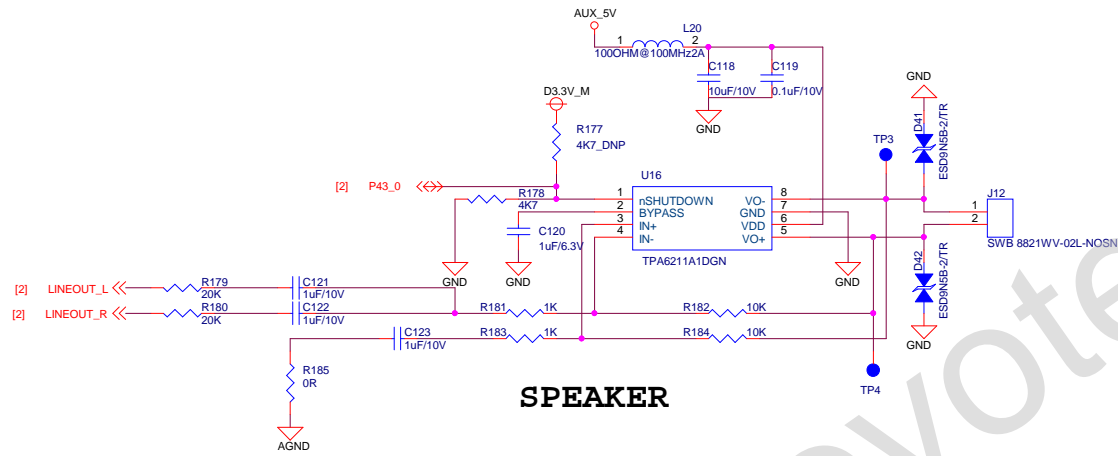
| | | |
|---------------------------|------------------------|---------------|
| Title | | |
| Renesas G2L EVB Schematic | | |
| Size | Document Number | Rev |
| A3 | MAC PHY | 1.0 |
| Date: | Friday, March 11, 2022 | Sheet 9 of 12 |

CONFIDENTIAL

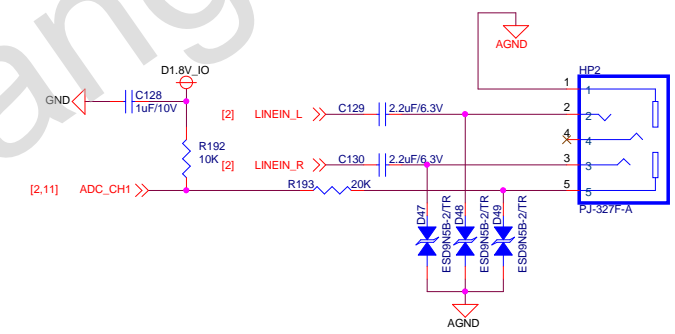
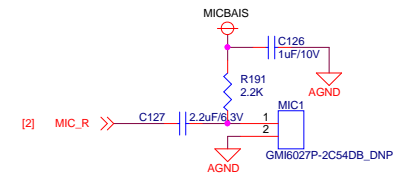
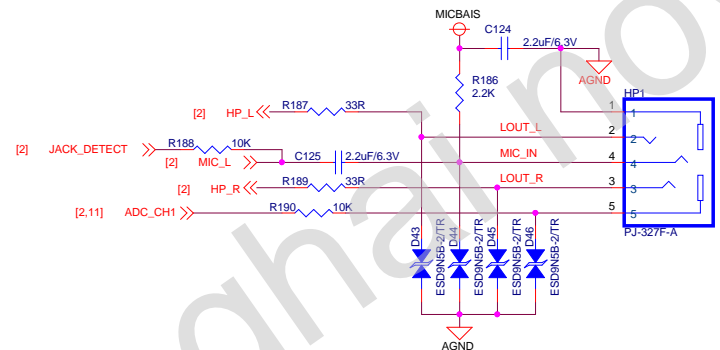


CONFIDENTIAL

| | | |
|---------------------------|-----------------------|----------------|
| Title | | |
| Renesas G2L EVB Schematic | | |
| Size | Document Number | Rev |
| A3 | WIFI & RTC | 1.0 |
| Date: | Friday, July 23, 2021 | Sheet 10 of 12 |

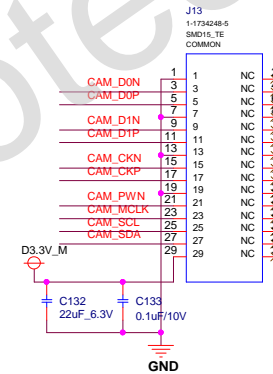
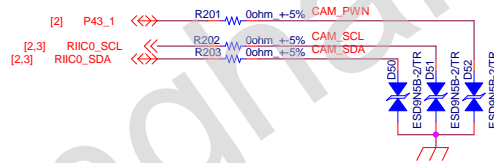
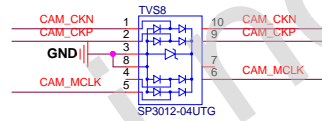
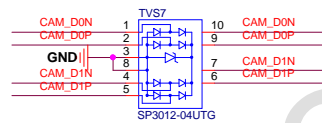
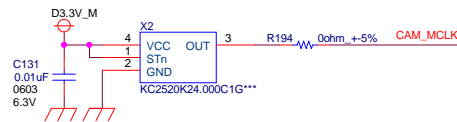
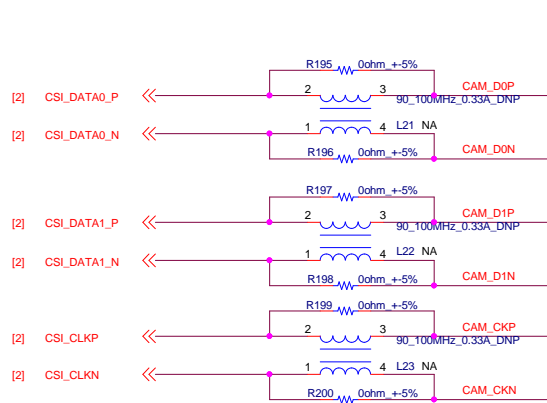


SPEAKER



CONFIDENTIAL

| | | | |
|---------------------------|----------------------------|-------|----------|
| Title | | | |
| Renesas G2L EVB Schematic | | | |
| Size | Document Number | Rev | |
| A3 | SPK & Audio Jack | 1.0 | |
| Date: | Tuesday, November 23, 2021 | Sheet | 11 of 12 |



CONFIDENTIAL

| | | |
|---------------------------|-----------------------|----------------|
| Title | | |
| Renesas G2L EVB Schematic | | |
| Size | Document Number | Rev |
| A3 | Camera | 1.0 |
| Date: | Friday, July 23, 2021 | Sheet 12 of 12 |