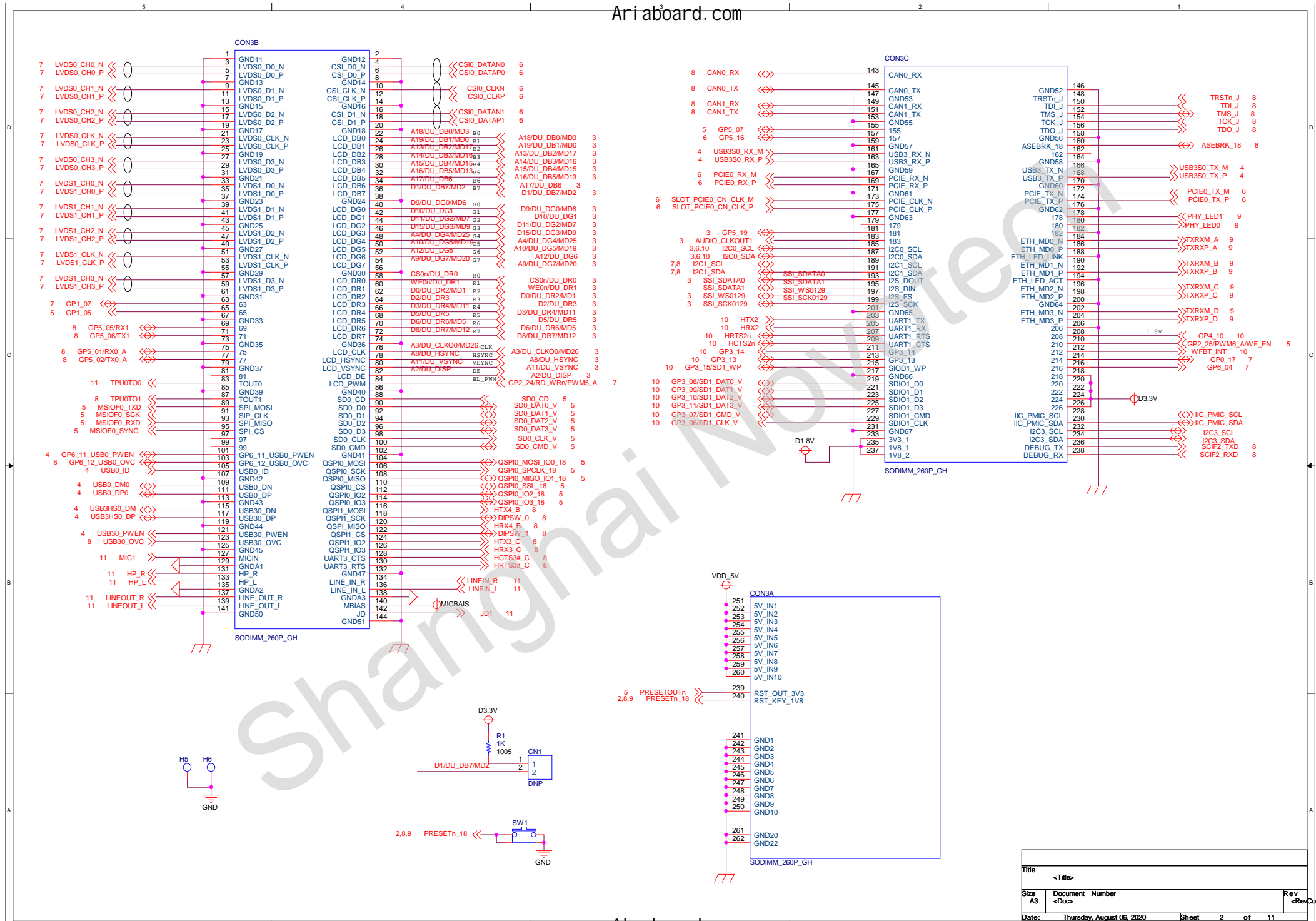
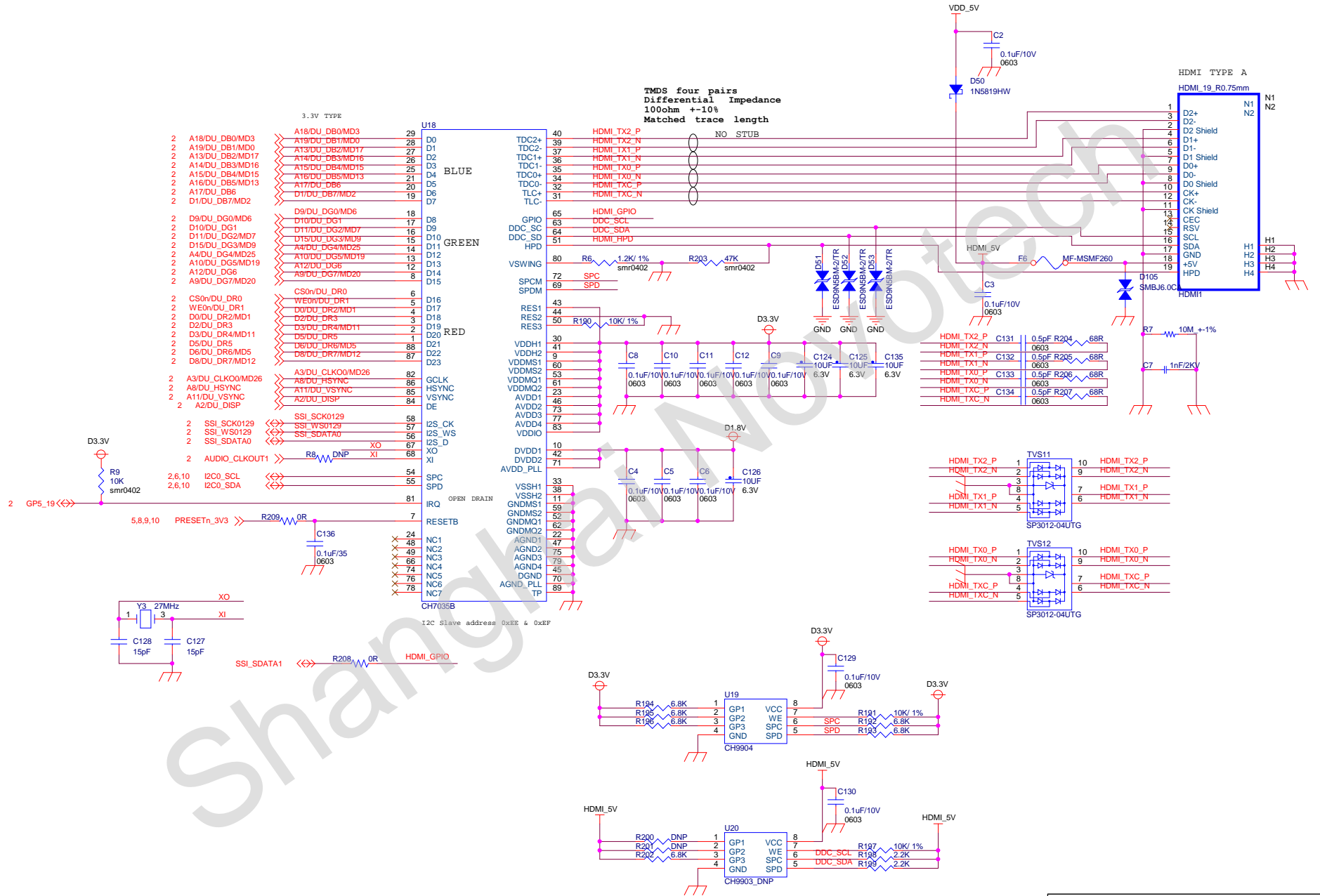


Renesas G2E EVB Schematic 1.0

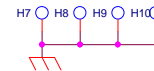
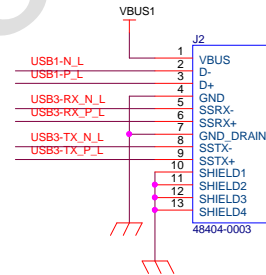
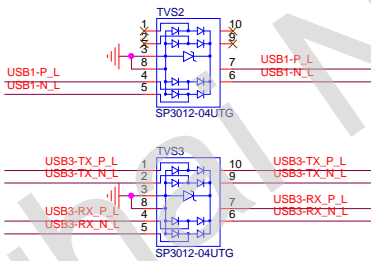
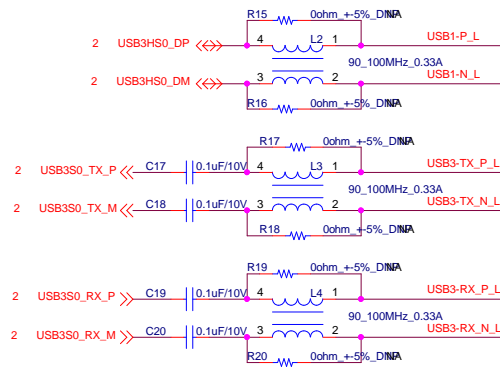
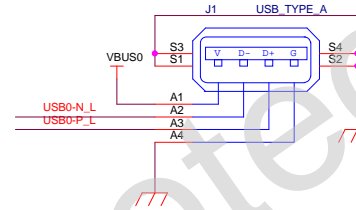
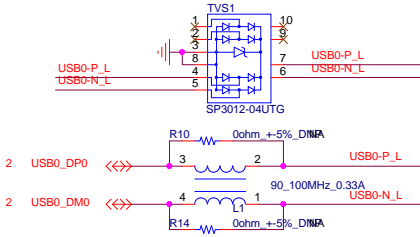
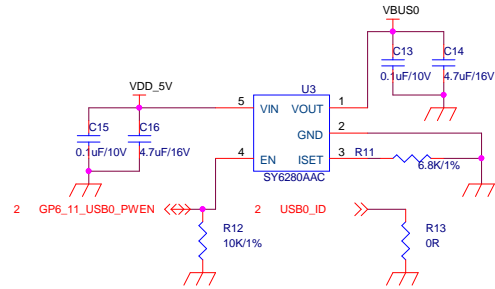
Page	Description
01	Title
02	SODIMM CONN
03	HDMI
04	USB IO
05	TF Socket & QSPI FLash
06	NVME M.2&Camera
07	LVDS CONN
08	JTAG&485&CAN&FIFO
09	POWER&Ethernet
10	WiFi&BT
11	Audio PA&HP JACK

Title		
<Title>		
Size	Document Number	Rev
A	<Doc>	<RevCode>
Date: Thursday, August 06, 2020		
Sheet 1 of 11		



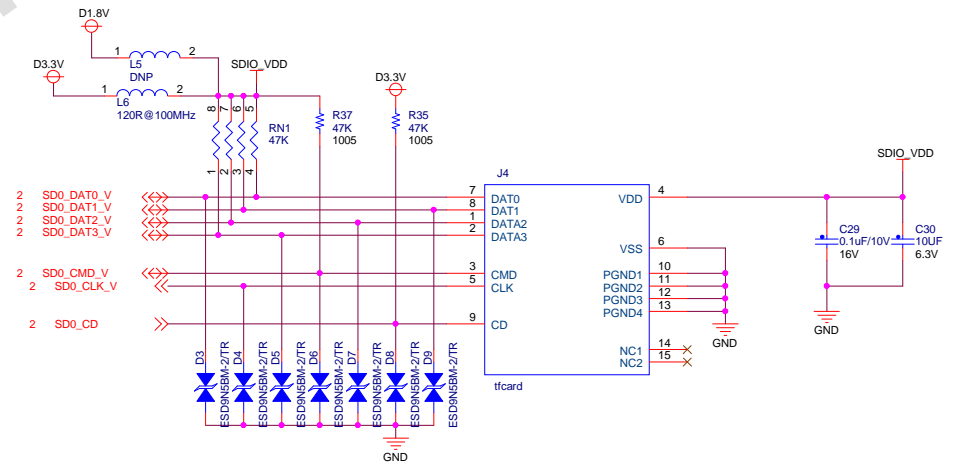
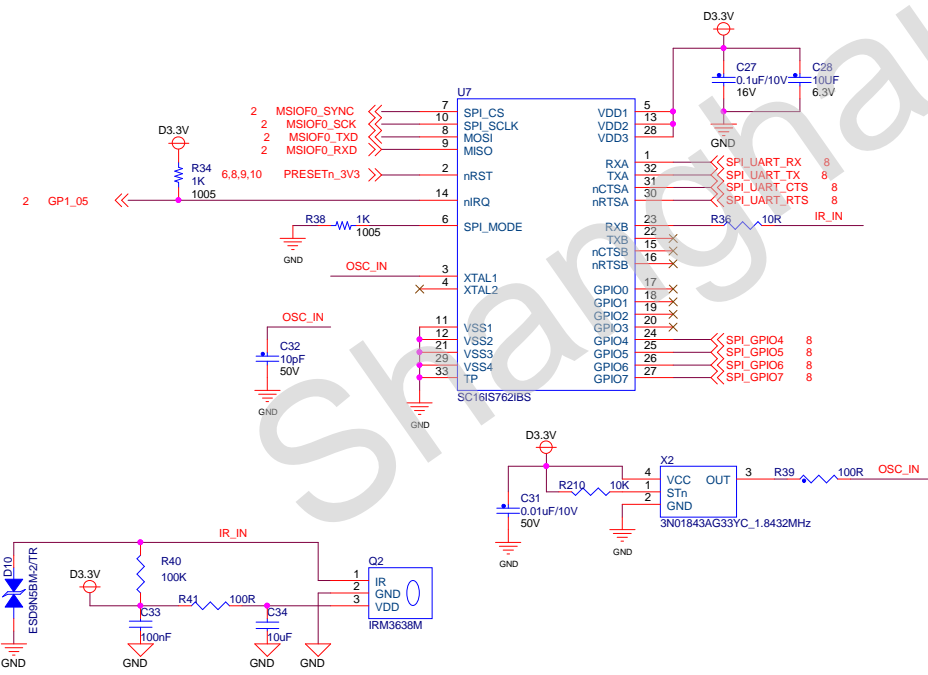
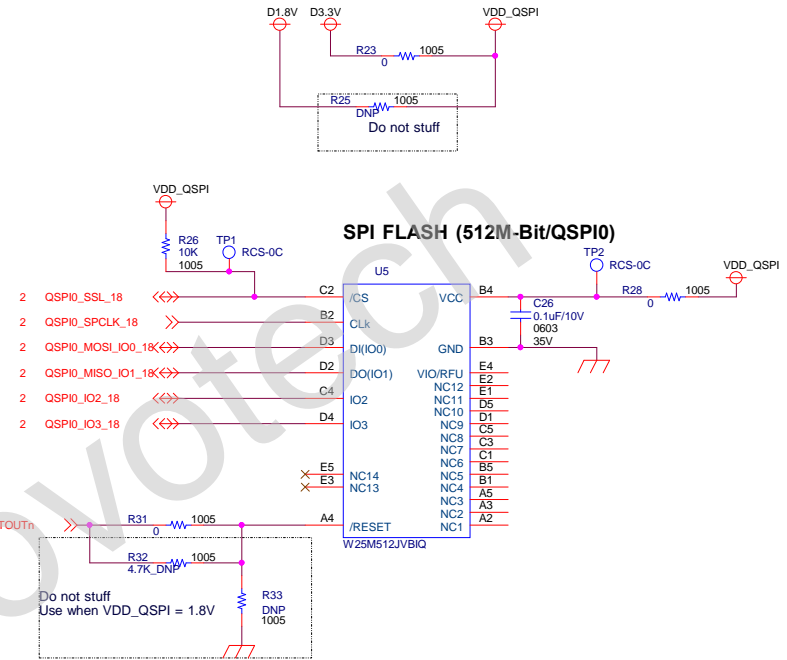
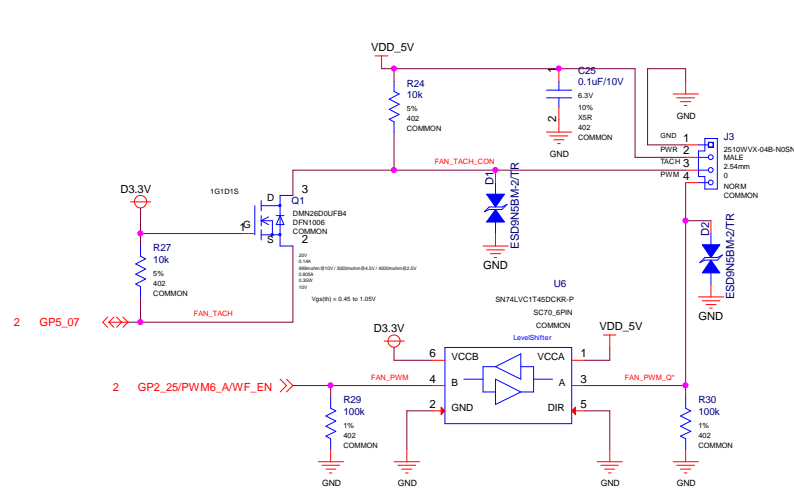


Title	<Title>	Rev	<Rev Code>
Size	A3	Document Number	<Doc>
Date:	Tuesday, February 23, 2021	Sheet	3 of 11

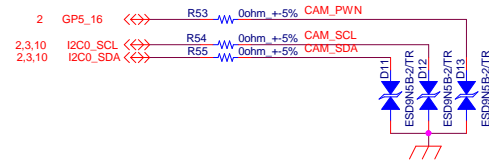
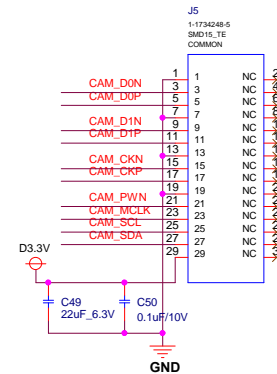
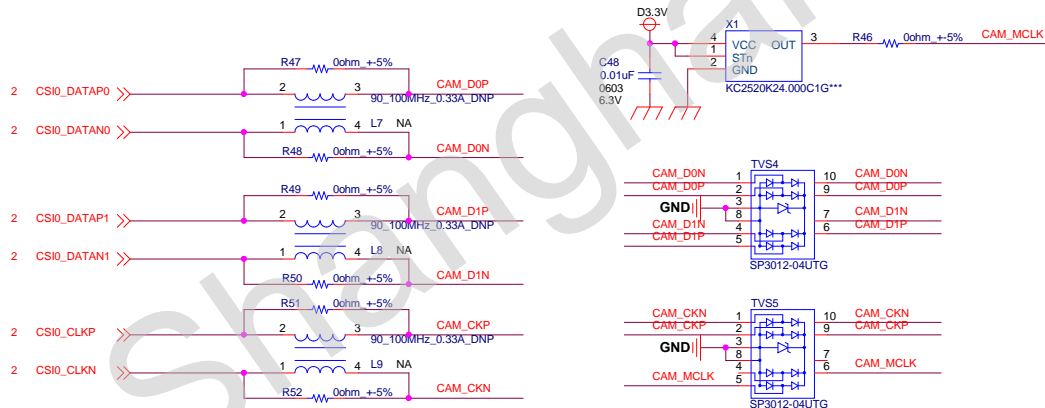
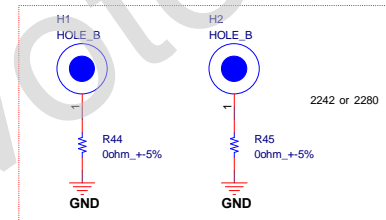
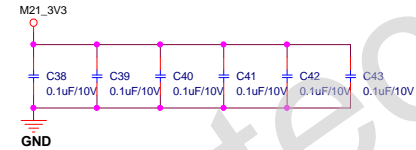
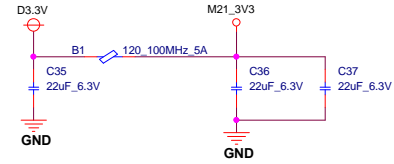
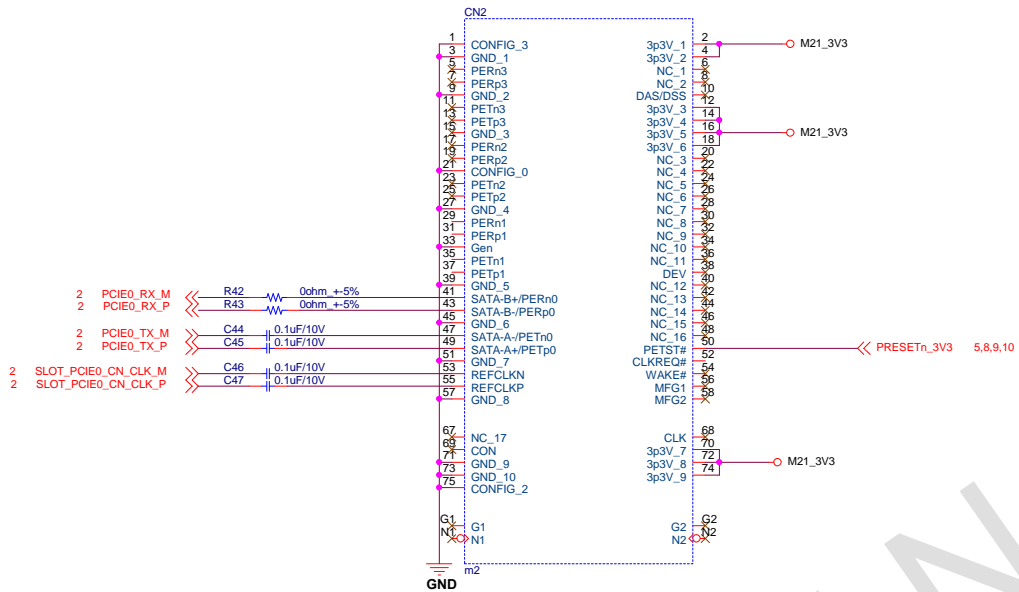


- MK1 ● MK1
- MK2 ● MK2
- MK3 ● MK3
- MK4 ● MK4
- MK5 ● MK5
- MK6 ● MK6

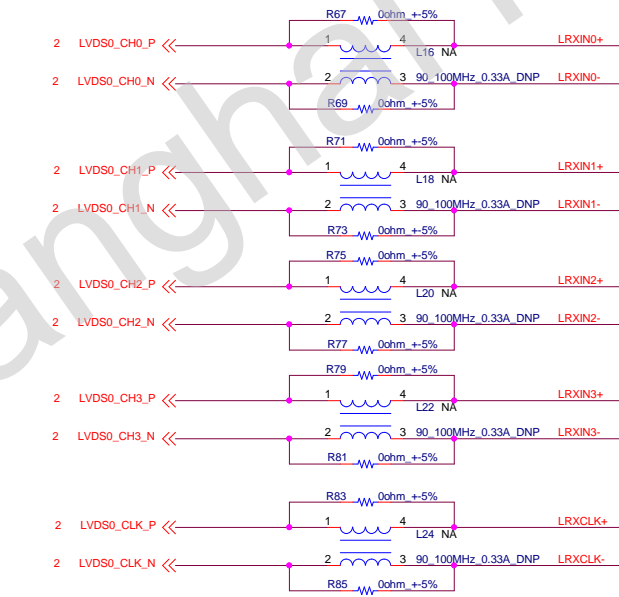
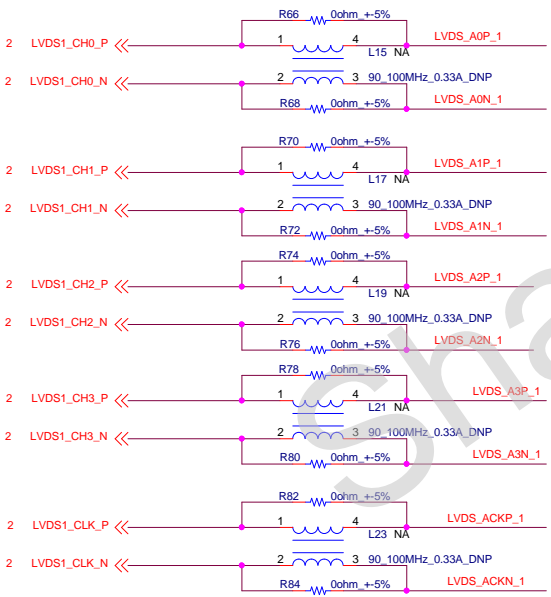
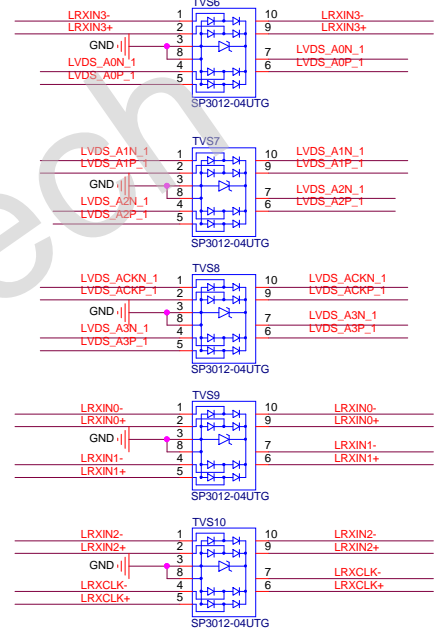
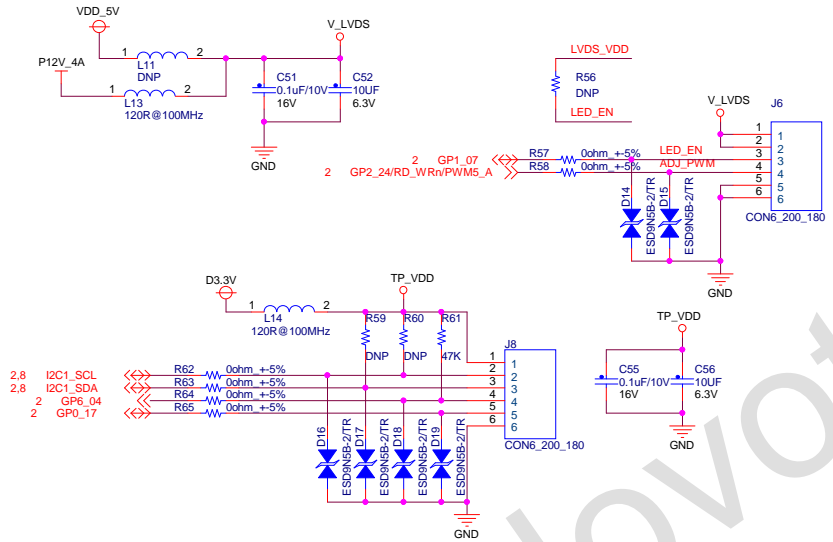
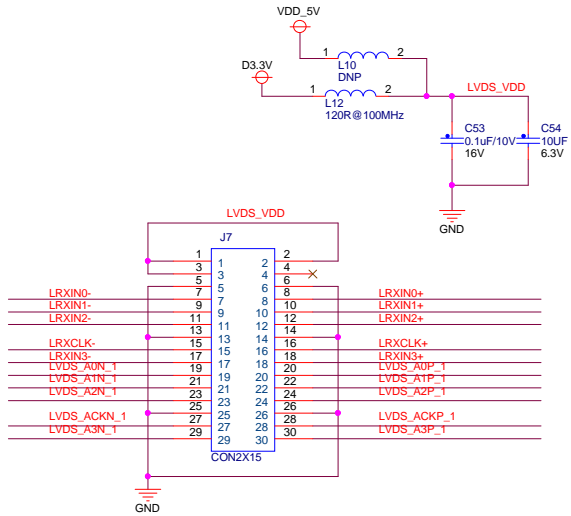
Title			
<Title>			
Size	Document	Number	Rev
A3	<Doc>		<RevCode>
Date:	Thursday, August 06, 2020	Sheet	4 of 11



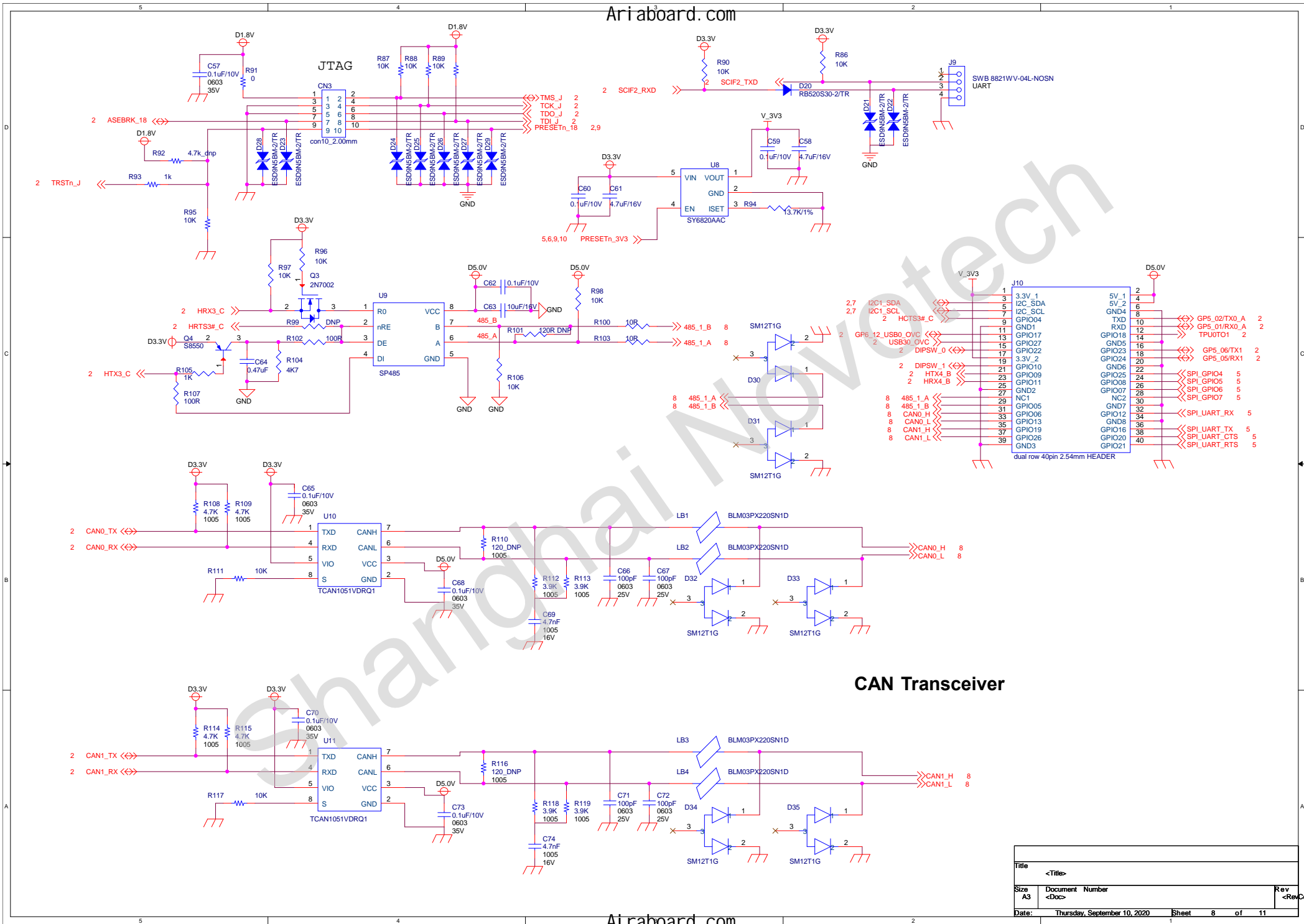
Title	<Title>			Rev	<RevCode>
Size	A3	Document Number	<Doc>	Rev	<RevCode>
Date:	Friday, December 25, 2020	Sheet	5	of	11



Title				<Title>
Size	Document	Number	Rev	<RevCode>
A3	<Doc>			
Date:	Tuesday, February 23, 2021	Sheet	6	of 11

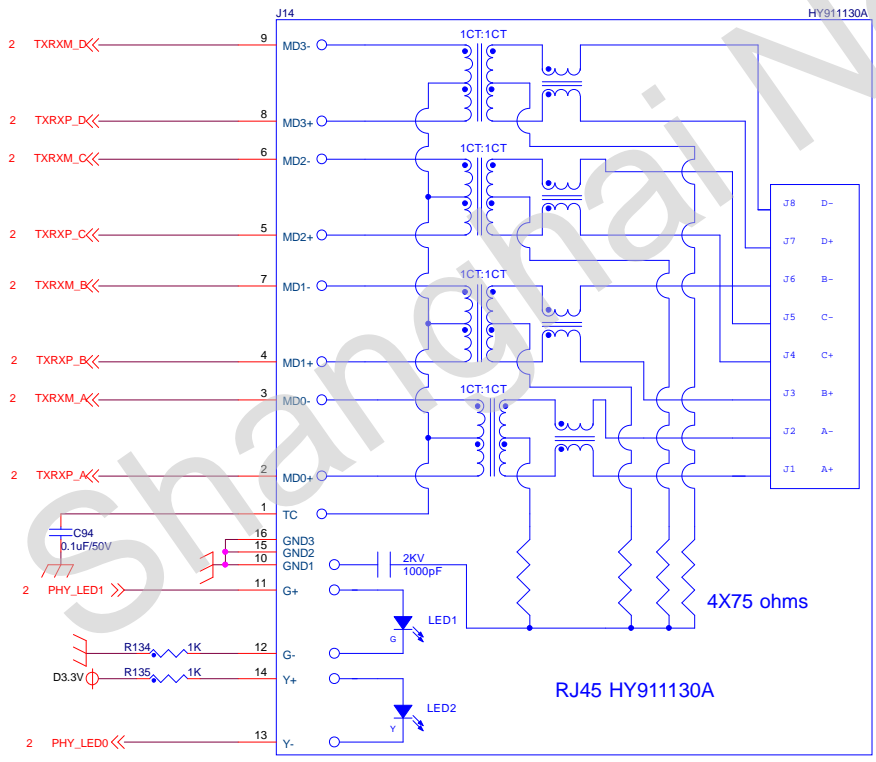
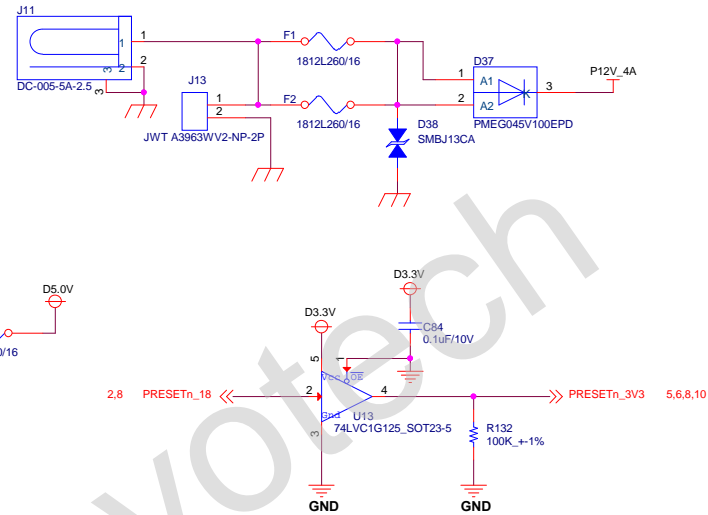
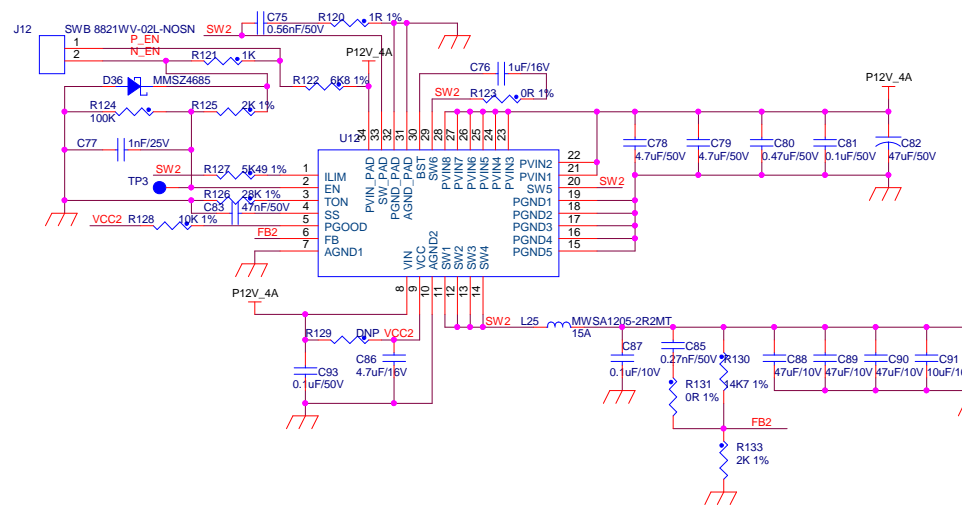


Title	<Title>		Rev	<RevCode>
Size	A3	Document Number	<Doc>	<RevCode>
Date:	Monday, December 21, 2020	Sheet	7	of 11

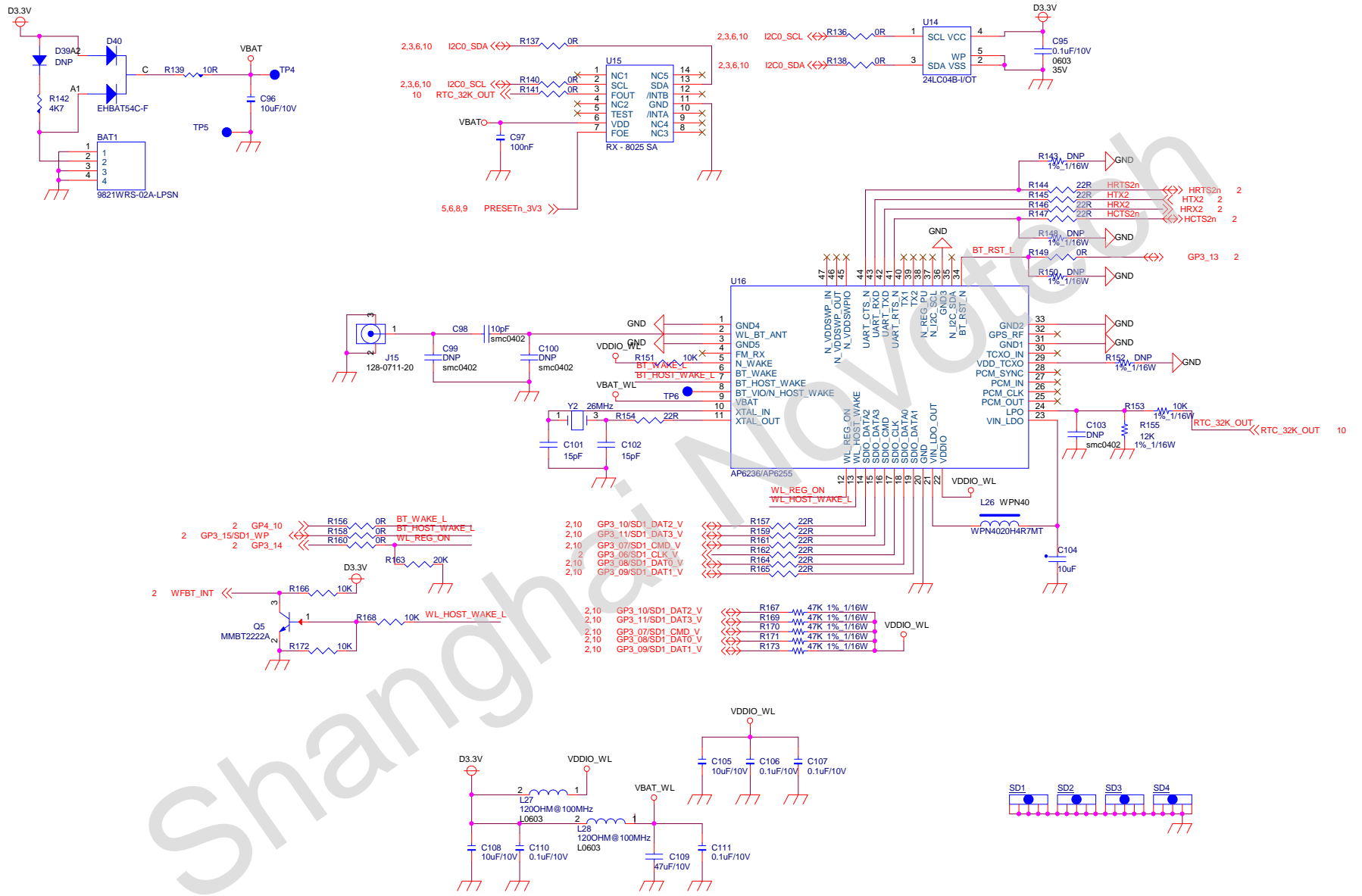


CAN Transceiver

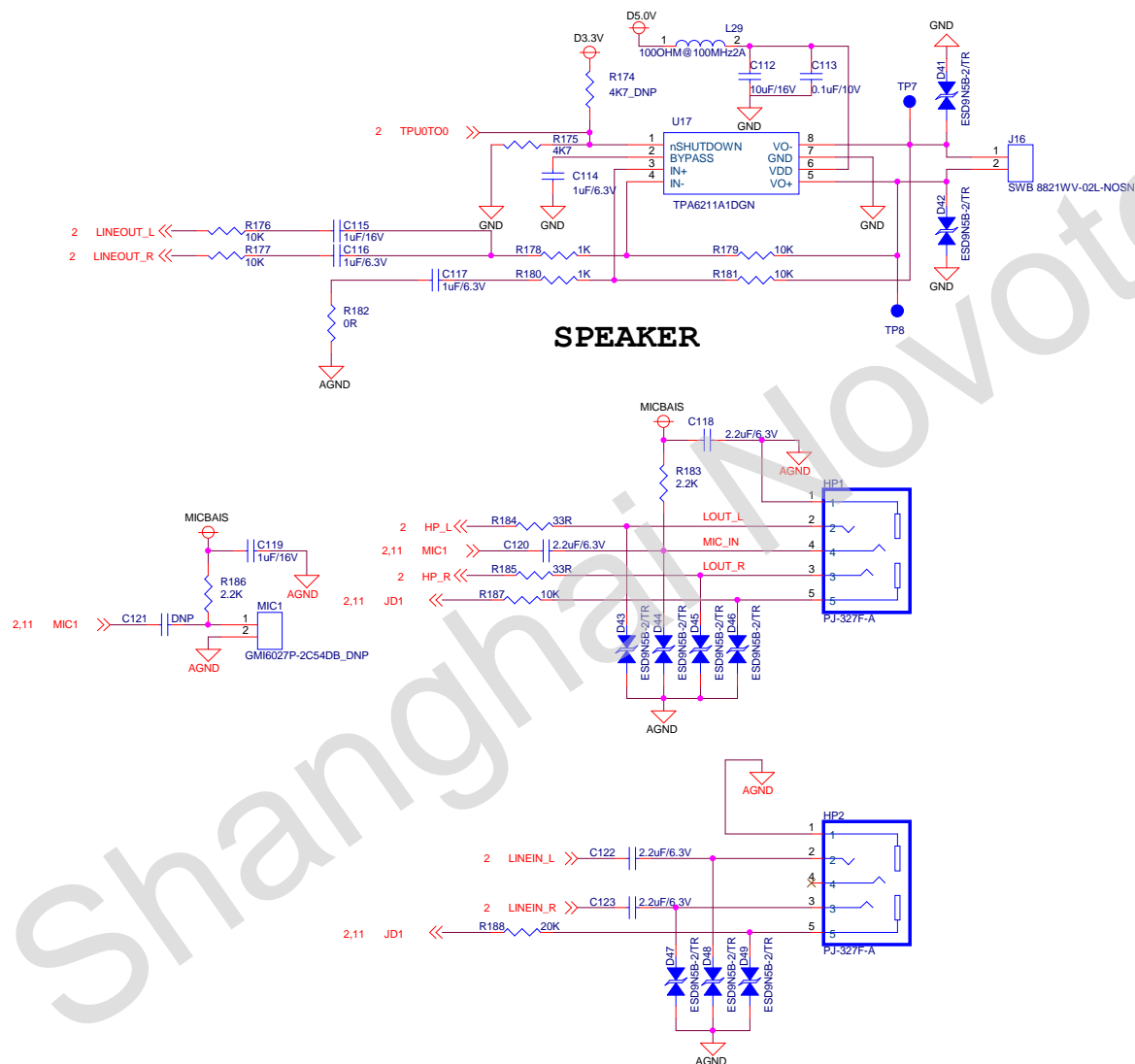
Title	<Title>		Rev
Size	Document	Number	<RevCode>
Date:	Thursday, September 10, 2020	Sheet	8 of 11



Title		<Title>	
Size	Document	Number	Rev
A3	<Doc>		<RevCode>
Date:	Thursday, August 06, 2020	Sheet	9 of 11



Title	<Title>		Rev
Size	Document	Number	<RevCode>
A3	<Doc>		
Date:	Thursday, August 06, 2020	Sheet	10 of 11



SPEAKER

Title			
<Title>			
Size	Document	Number	Rev
A3	<Doc>		<RevCode>
Date:	Thursday, August 06, 2020	Sheet	11 of 11